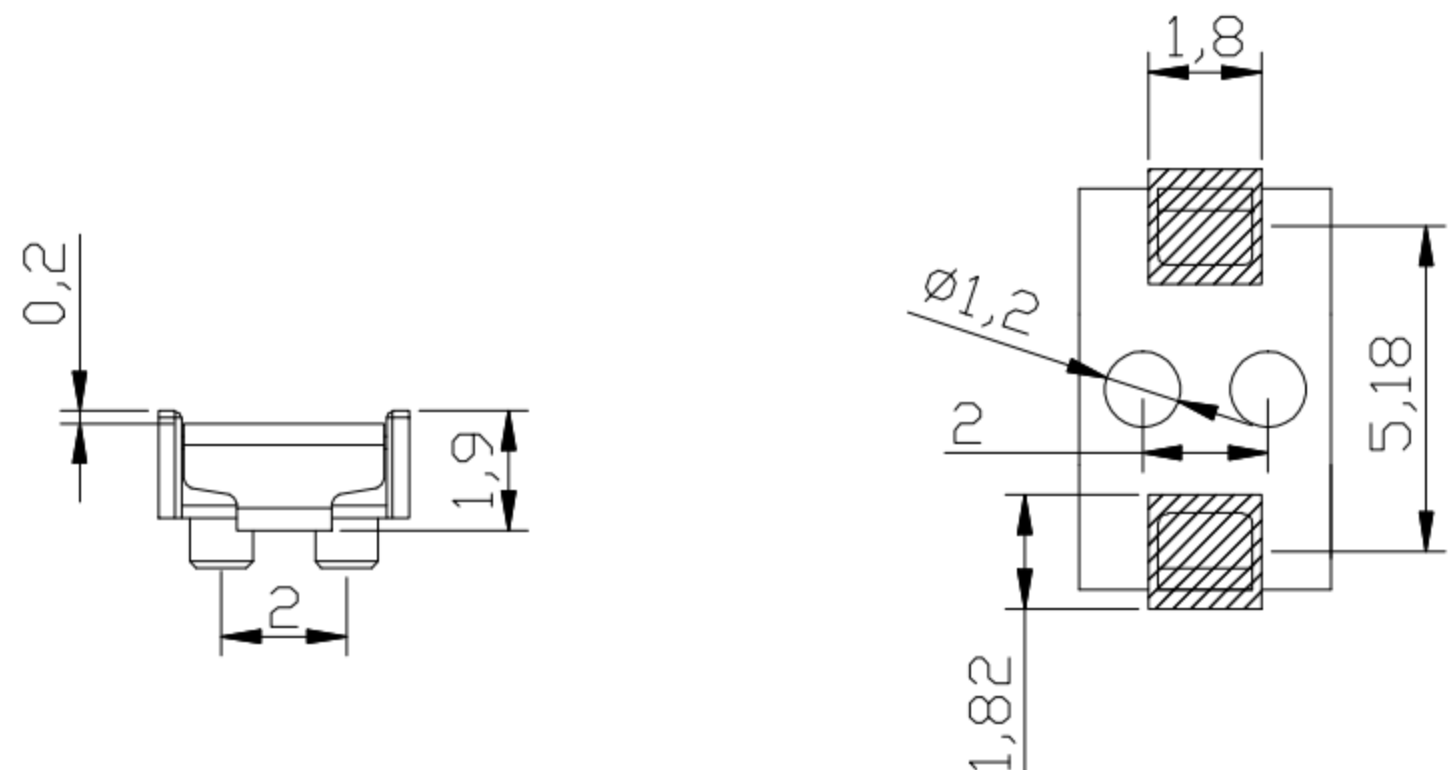
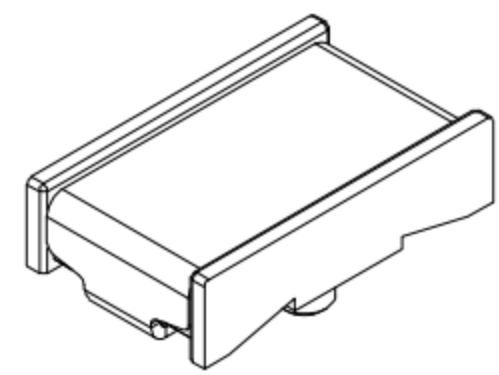
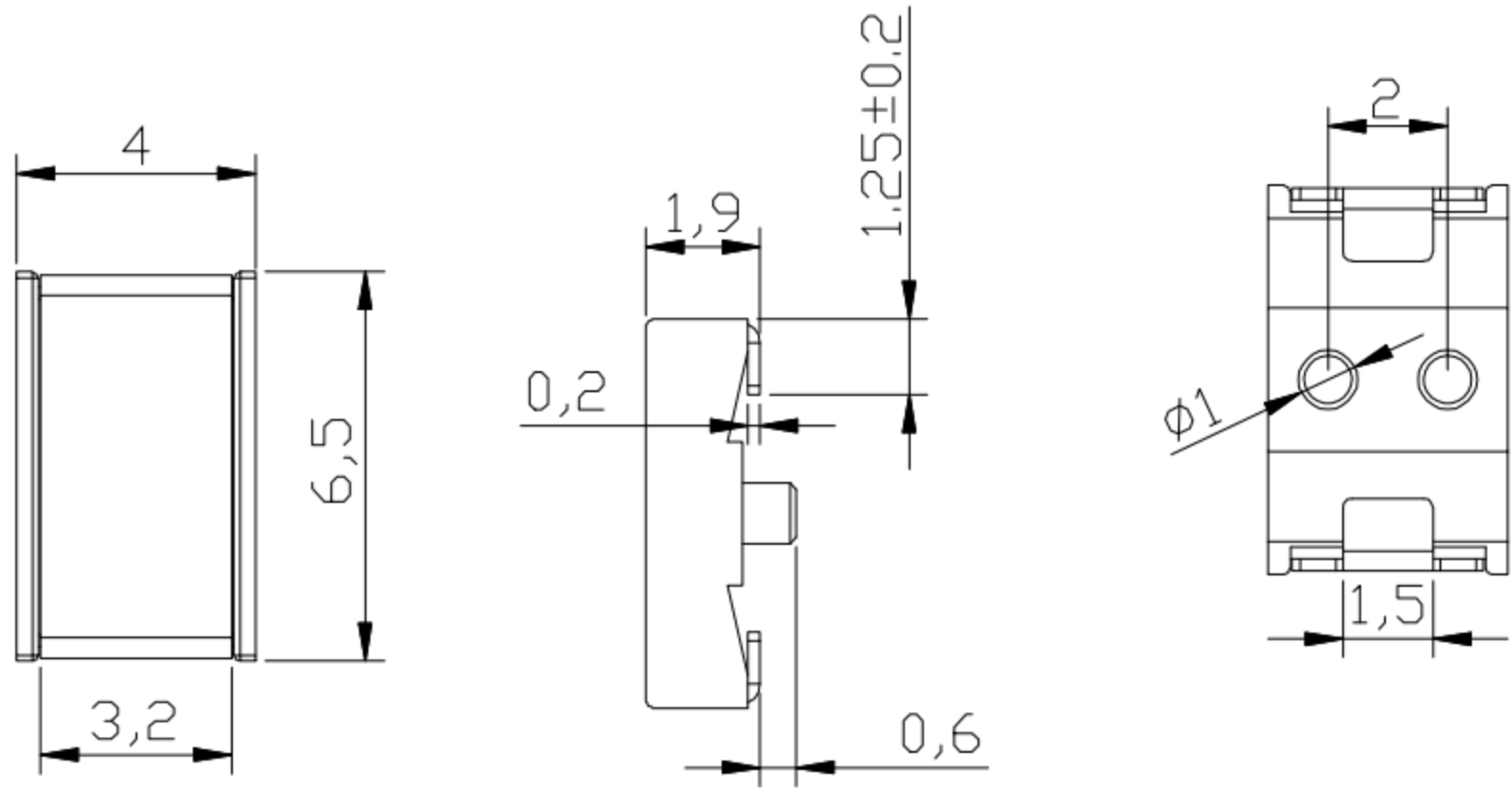


REV.	ECN NO.	DESCRIPTION	DESIGN	DATE
A		INITIAL	Kai	2018.03.29



RECOMMENDED PCB LAYOUT
TOP VIEW (. XX ± 0.05)

性能:
 额定电流: 2.0A
 额定电压: 12V
 耐电压: 500V
 接触电阻: 30mΩ
 绝缘电阻: 500MΩ
 工作温度: -40℃~+85℃
 塑件(材质): LCP
 接触点(材质): 磷铜, 镀金

②	HOUSING	1	LCP		BLACK
①	CONTACT A	2	PHOSPHOR BRONZE 0.20T	Au PLATED	
ITEM	PART NAME	Q'TY	MATERTAL	DESCRIPTION	REMARK

UNLESS OTHERWISE SPECIFIED TOLERANCES			
DECIMALS:		ANGLES:	
DIM	TOL	DIM	TOL
X.	±0.50	X.	±2'
X.X	±0.30	X.X	±1'
X.XX	±0.20	X.XX	
X.XXX	±0.10	X.XXX	

东莞市高迪电子有限公司			
DWG NO.		PART NAME:	
DESIGN:		PART NO.	
CHECK:		REV.	UNIT:
APPROVED		A	mm
		SHEET:	1/1